

PULLER | Application Data Sheet

COMPANY:

CONTACT NAME:

ADDRESS:

TITLE:

.....

EMAIL:

.....

PHONE: **FAX:**

APPLICATION DESCRIPTION: (Please specify O.E.M./Retrofit. Describe physical/special conditions.)

.....

.....

.....

MATERIAL: **HARDNESS:**

OPERATOR'S STYLE PREFERENCE:

- Morgan Vaughn
- S&H S&H T-R

TYPE OF MACHINE:

- Bullblock Inverted Bullblock
- Multiple Hole Drawing Machine
- Other

Block/Capstan Diameter mm in

Required Puller Assembly Length mm in

CHAIN STYLE:

- Link/Hoisting Leaf
- Roller Safety

CONNECTION TYPE:

- Round Hole Post
- top mount
- side mount

Key Slot

Vaughn Style

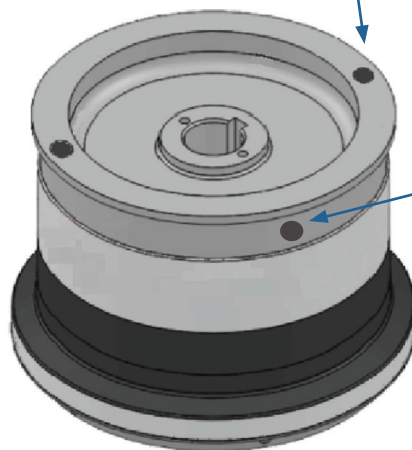
Other

Preferred Hook

REQUIRED INFORMATION

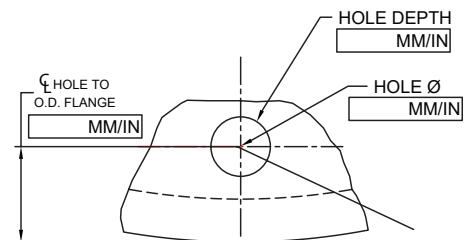
1. Pointed Wire Diameter / Diameter Range mm in
 2. Required Maximum Die Pull mPa KPSI
- OR
- and 2 of the 3 items listed below:
- Drawn Wire Diameter: mm in
- % Reduction
- Initial Wire Diameter mm in

HOOK HOLE ON TOP

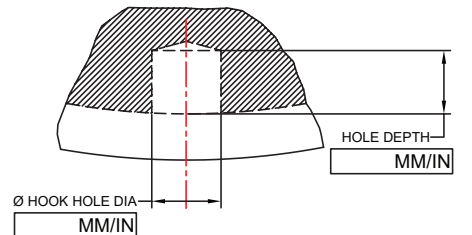


HOOK HOLE ON SIDE

TOP HOLE HOOK SPECIFICATIONS



SIDE HOLE HOOK SPECIFICATIONS



SALES@SJOGREN.COM

Providing wire tooling equipment since 1927
 982 Southbridge St. • Worcester, MA 01610 USA
 Tel 508-987-3206 • Fax 508-987-1965 • www.sjogren.com

