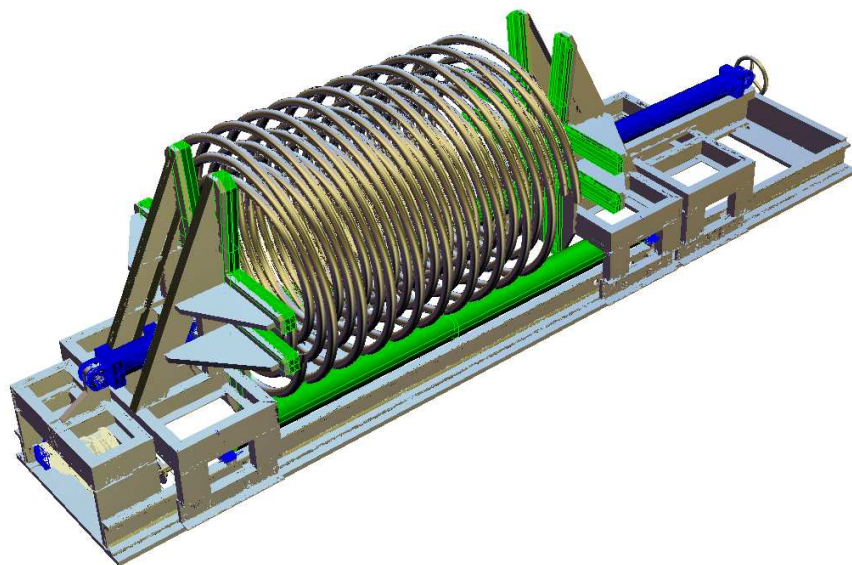


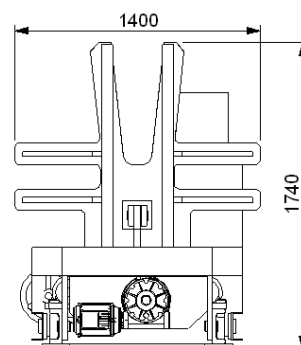
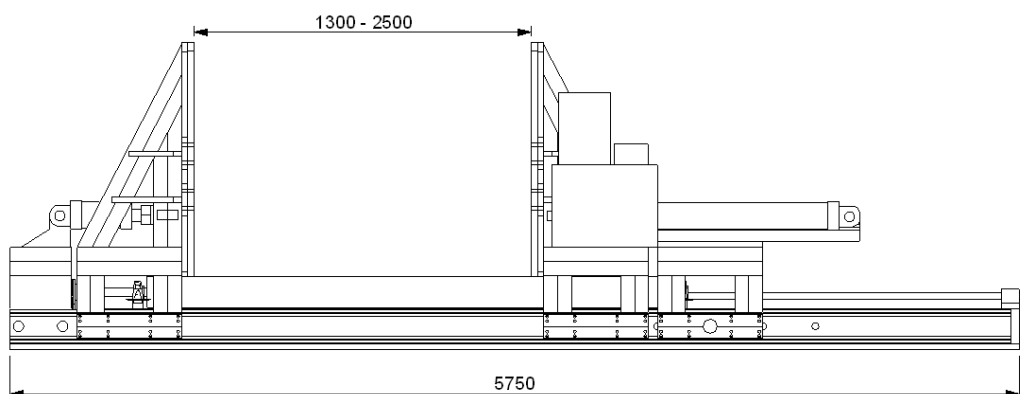
CM 2R COMPACTING DEVICE

The compacting devices CM2R is a hydraulic press suitable to reduce dimension of hanks before strapping, with rollers wire rod rotation .

Structure is composed by two strong compacting arms leaned on high-resistant U-form sliding profiles . On these profiles there are combined three-lateral sliding wheel bearings .



Both compacting arms are moved by hydraulic pistons power control unit . Two engine powered rollers permit rotation of hank to effect strapping in several points .



Particularly suitable for :

- **Steel producers**
- **Drawing**
- **Bolts producers**
- **Chains producers**



Technical features

Long piston run	1200 mm
Short piston run	150 mm
Piston resistance	15000 kg
Hanks diameter	800 - 1400 mm
Wire diameter	35 mm
Hank max weight	3000 kg
Overall foreseen weight	2500 kg



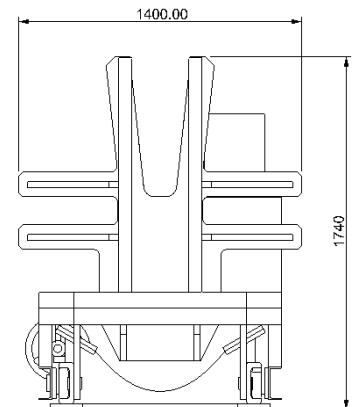
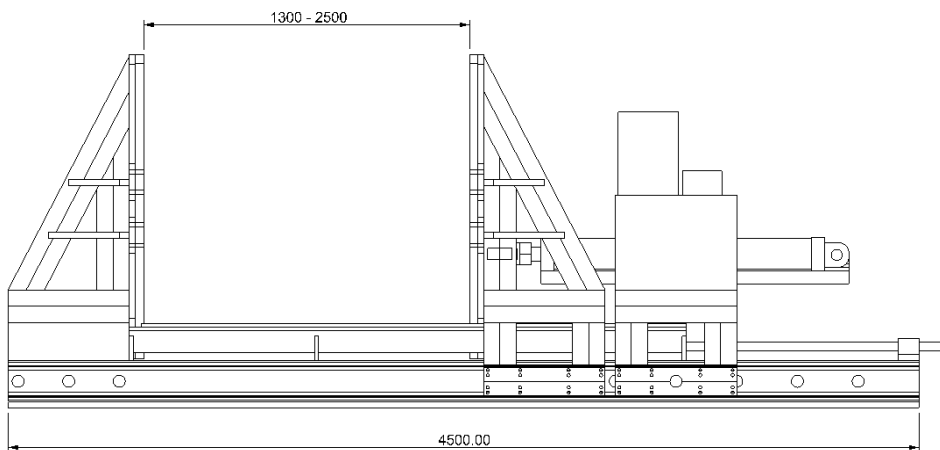
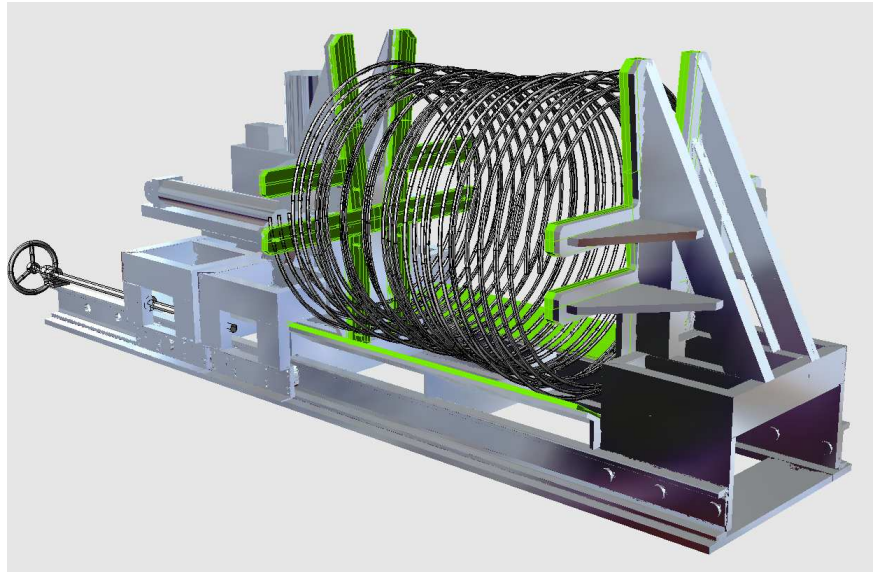
TRA.ME.V. S.r.l. - UTENSILI ELETTRIDRAULICI
 via Pascoli 47 - 23861 Cesana Brianza (LC) - Italy
 Tel. +39 031 658511 - Fax +39 031 658496
 www.sommer.it - www.tramev.com - info@tramev.com
 Sede legale: via Parini 17 - 23861 - Cesana Brianza (LC) - Italy
 REA Lecco 156871 - reg. imp. Lecco LC-2000-6694
 Cod. fisc. e P. IVA 00685950131
 Partita IVA CEE IT 00685950131 Cap. Soc. 100.000 euro int. vers.

CM 2P COMPACTING DEVICES

The compacting devices CM2P is a hydraulic press suitable to reduce dimension of hanks before strapping

Structure is composed by two strong compacting arms leaned on high-resistant U-form sliding profiles .

The compacting arms is moved by a hydraulic piston with a run of 1200 mm , with power contro unit . Its position can be mechanically modified depending on the original dimension of hank.



Particularly suitable for :

- **Drawing**
- **Bolts producers**
- **Chains Producers**



Technical Features

Piston run	1200 mm
Piston resistance	15000 kg
Hanks diameter	800 - 1400 mm
Wire diamer	35 mm
Hank max weight	3000 kg
Overall foreseen weight	2200 kg



TRA.ME.V. S.r.l. - UTENSILI ELETTRIDRAULICI
 via Pascoli 47 - 23861 Cesana Brianza (LC) - Italy
 Tel. +39 031 658511 - Fax +39 031 658496
 www.sommer.it - www.tramev.com - info@tramev.com
 Sede legale: via Parini 17 - 23861 - Cesana Brianza (LC) - Italy
 REA Lecco 156871 - reg. imp. Lecco LC-2000-6694
 Cod. fisc. e P. IVA 00685950131
 Partita IVA CEE IT 00685950131 Cap. Soc. 100.000 euro int. vers.